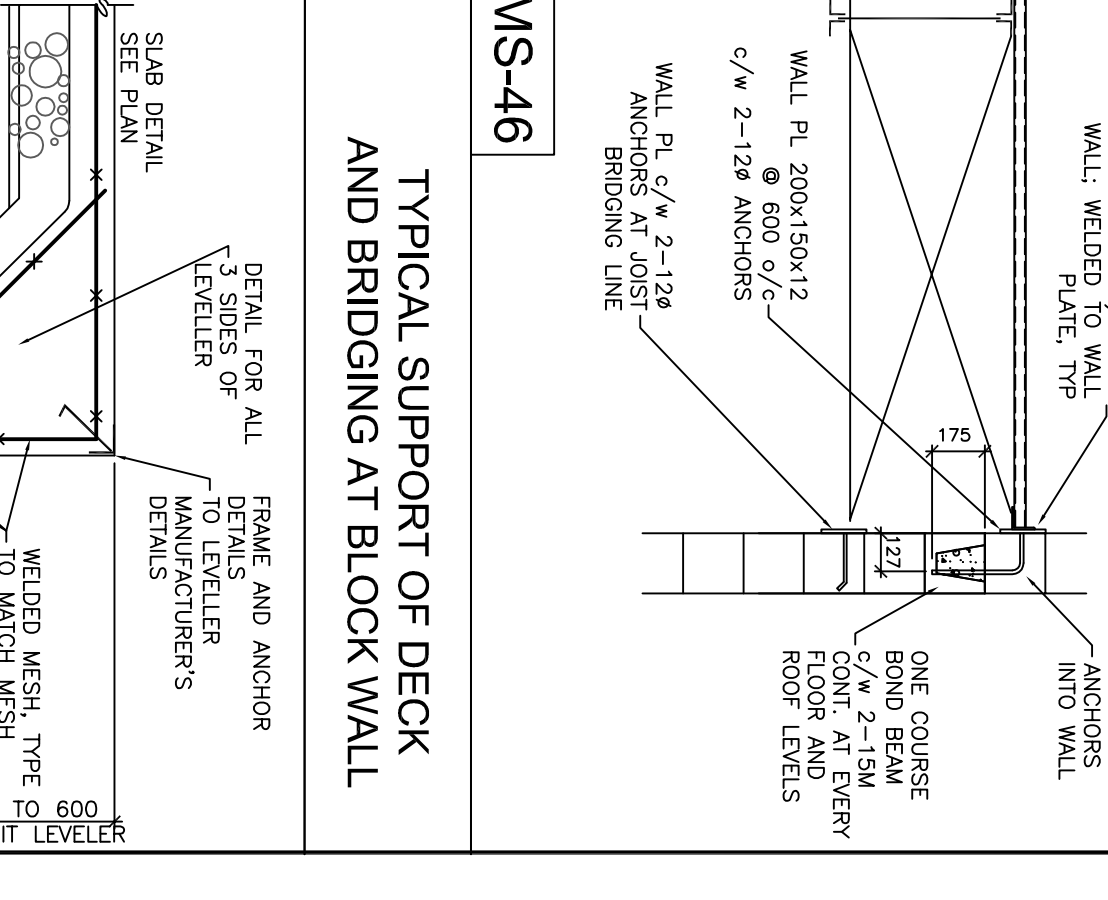
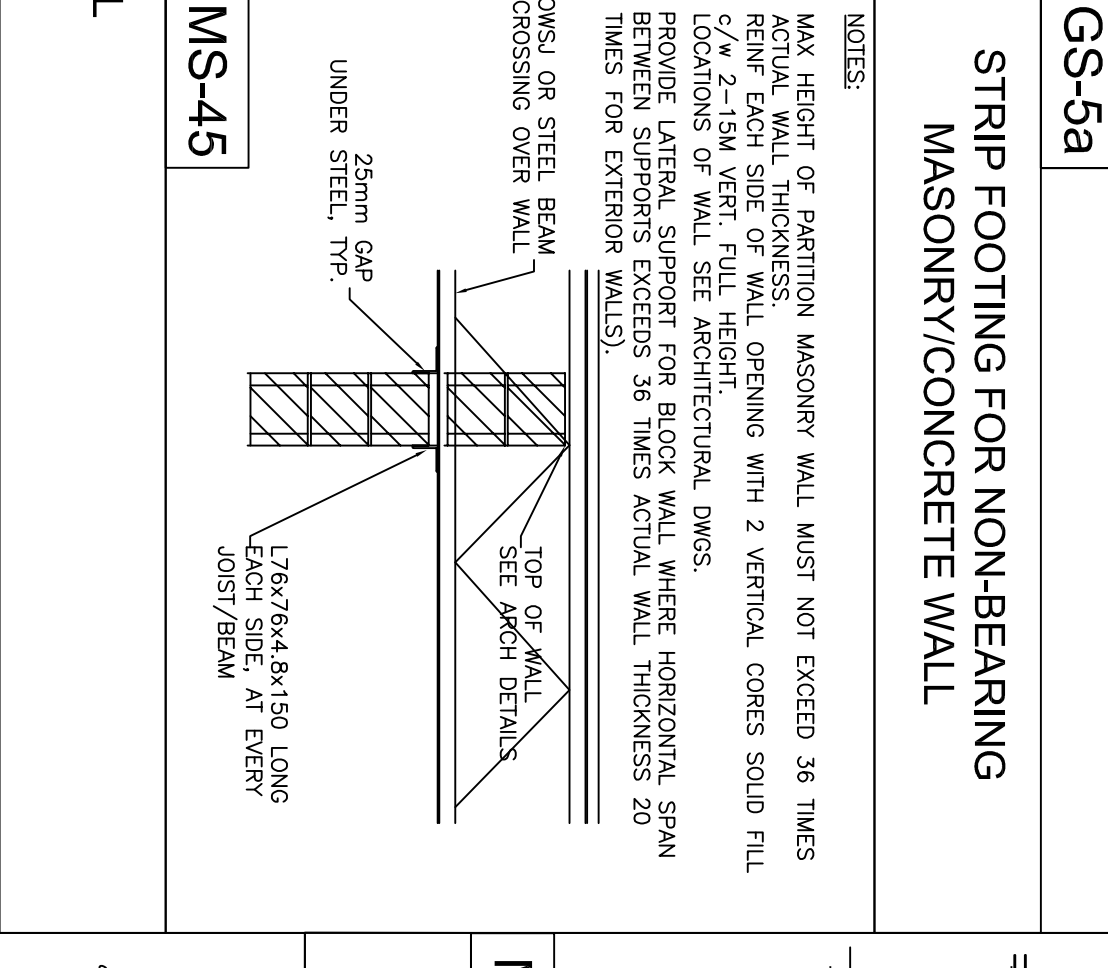
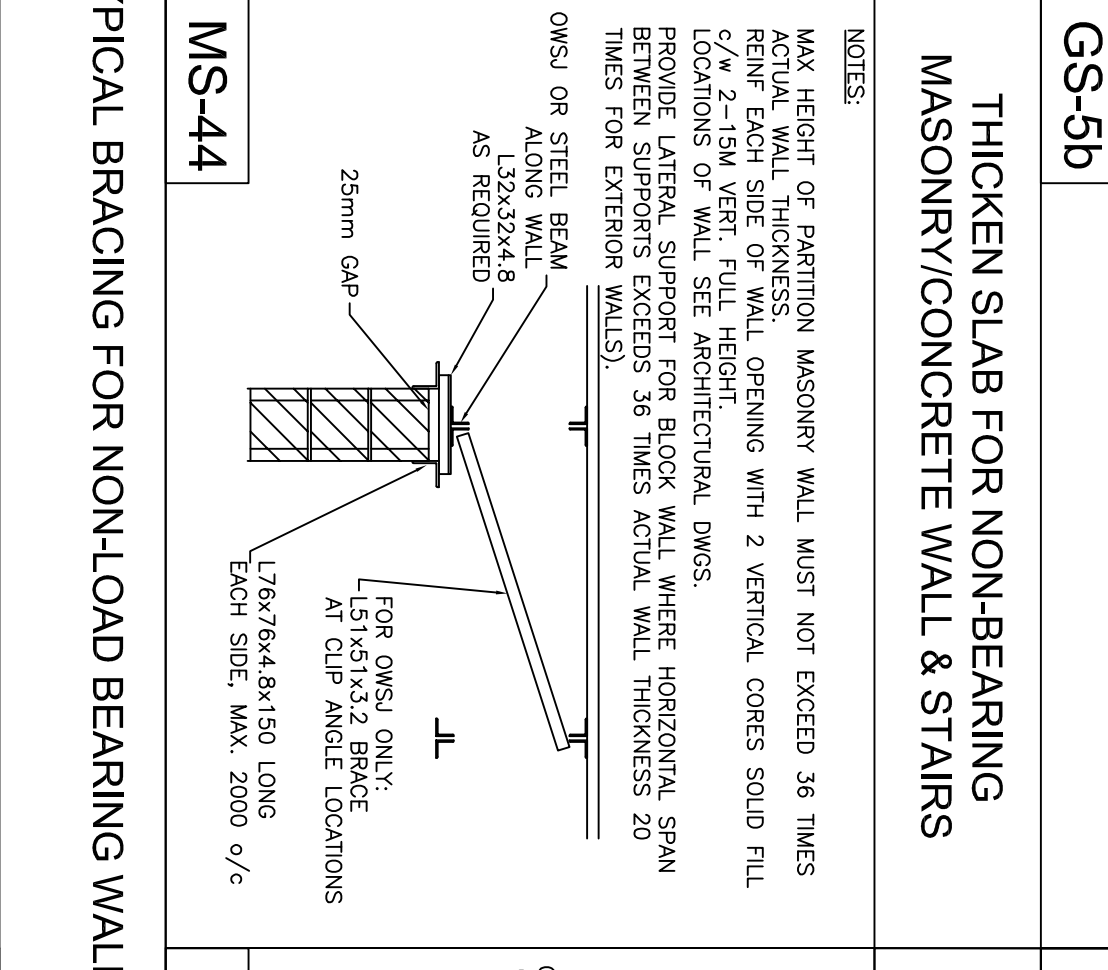
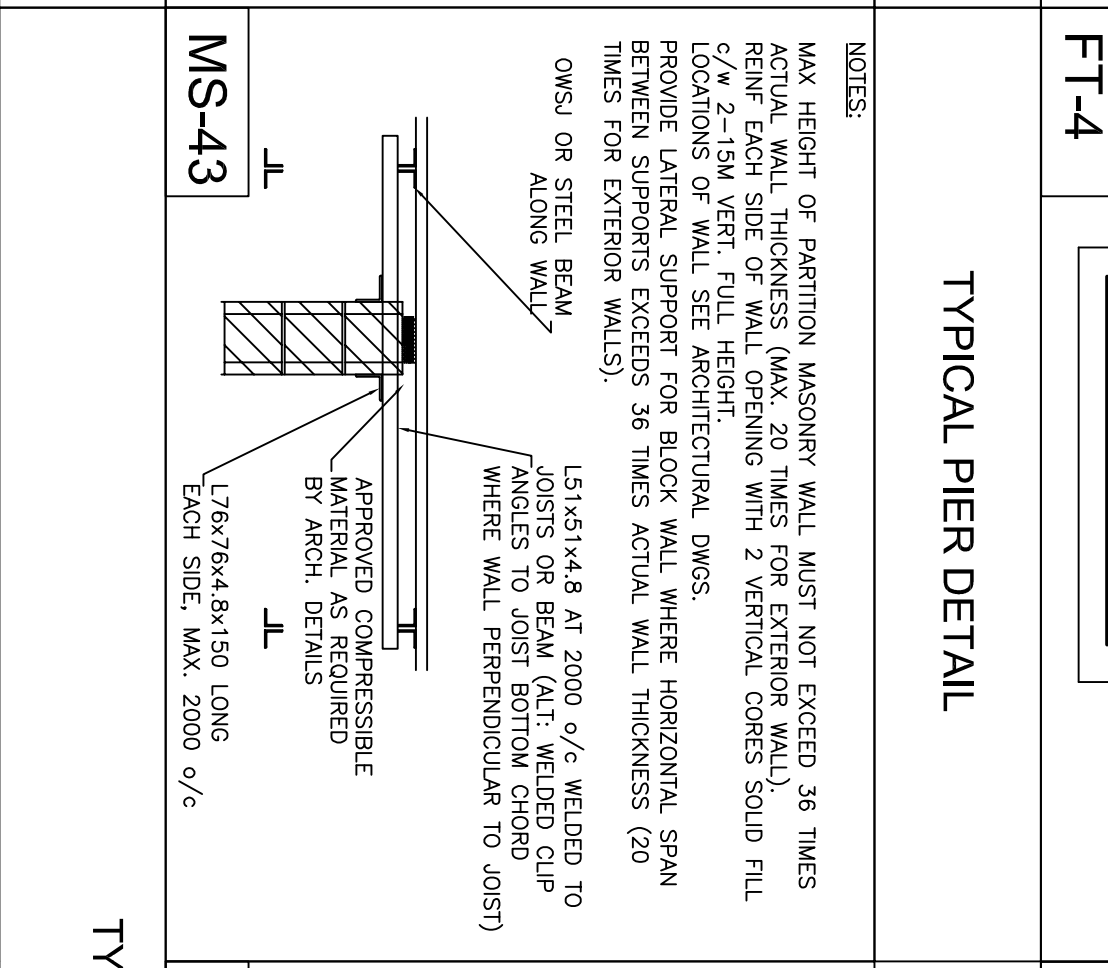
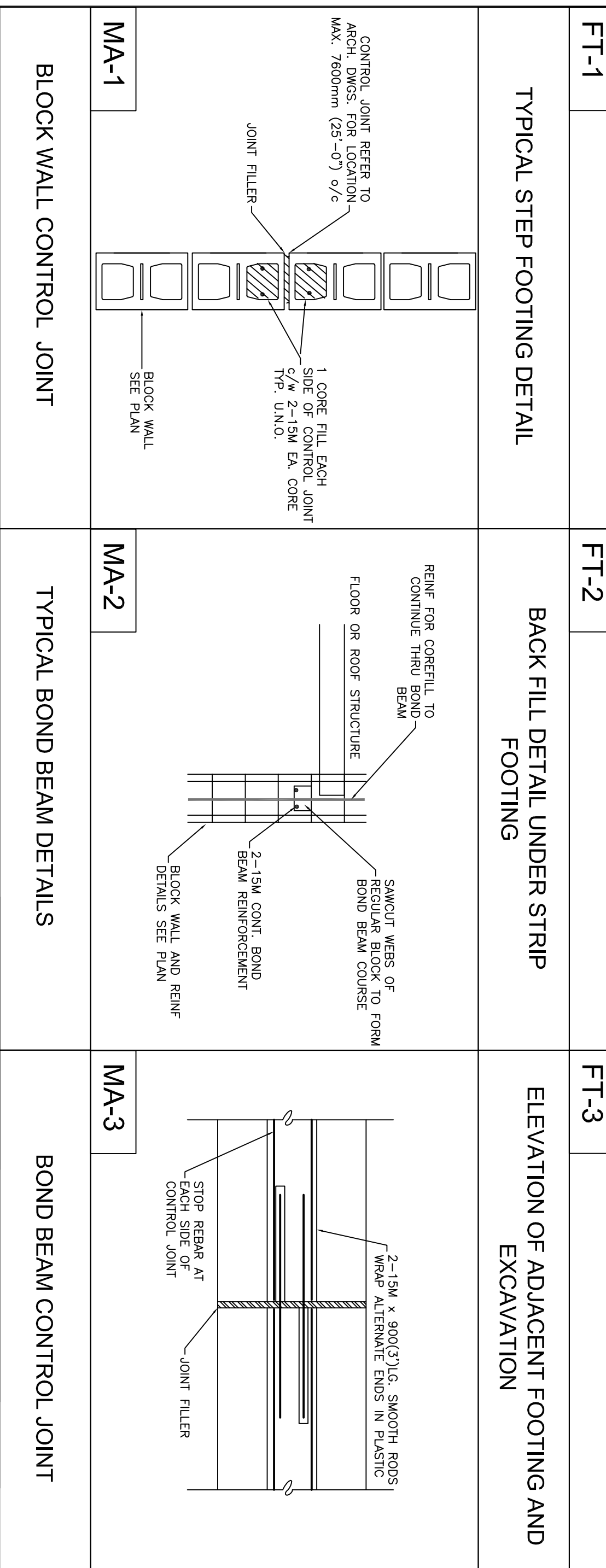
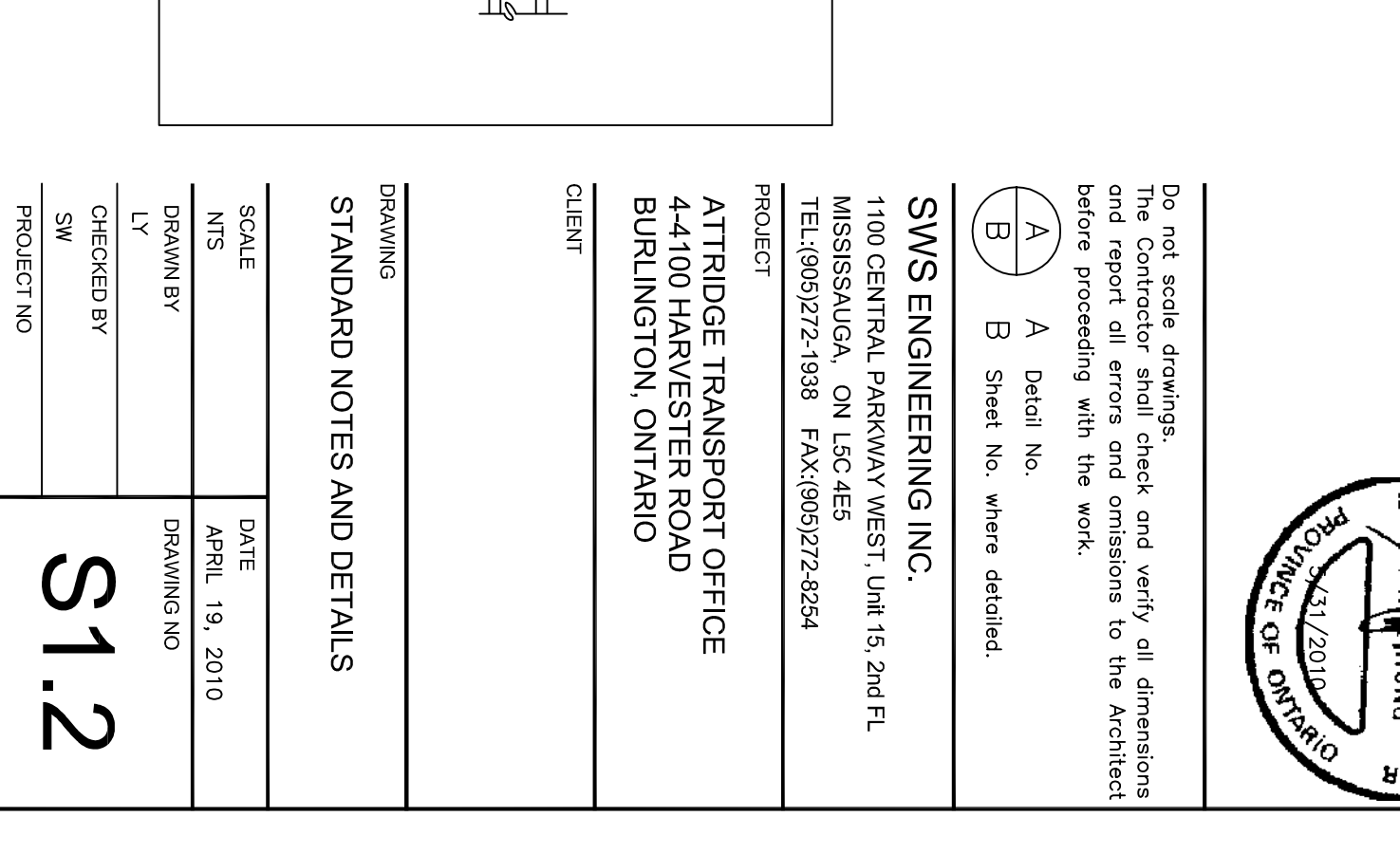
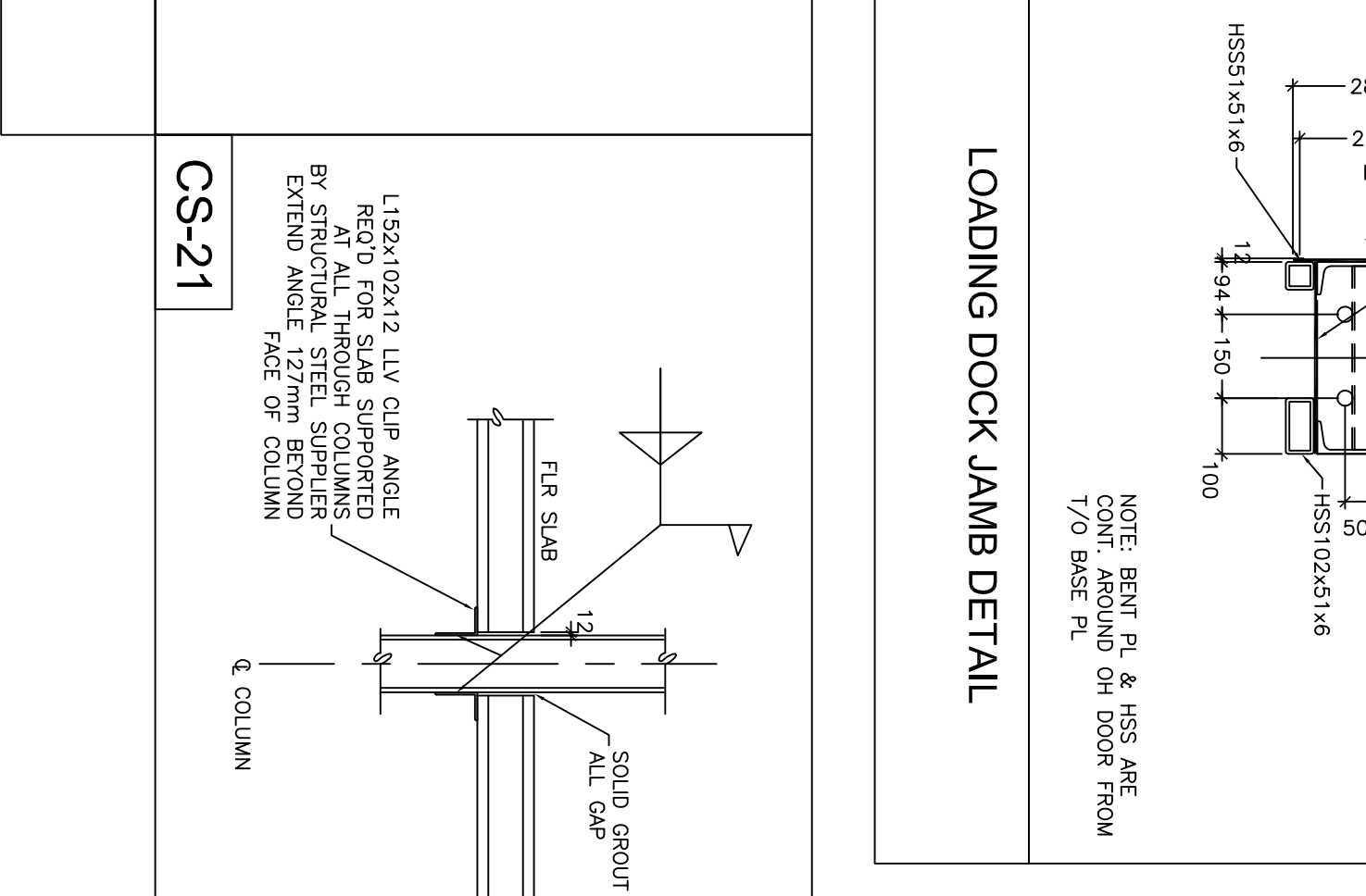
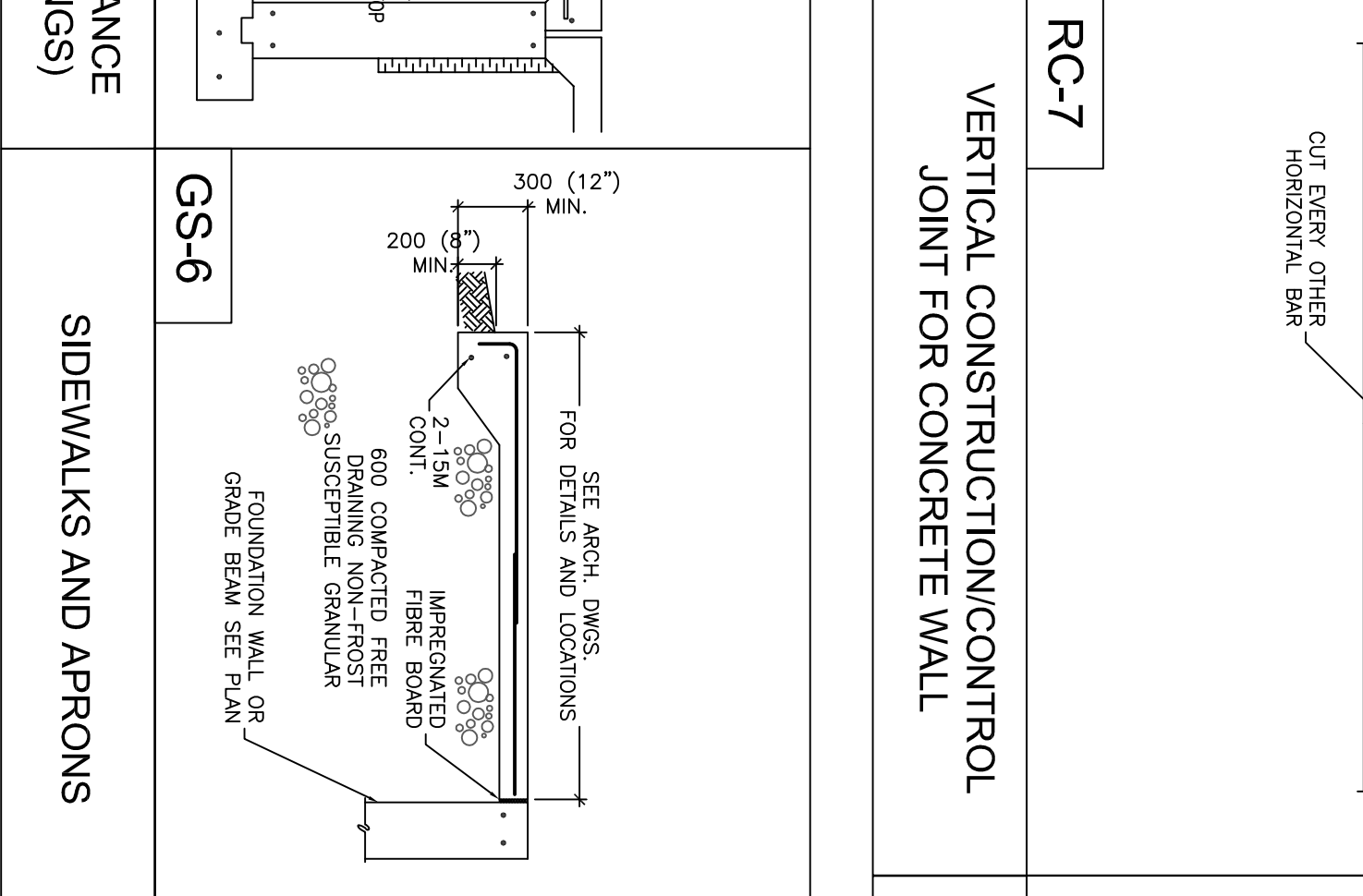
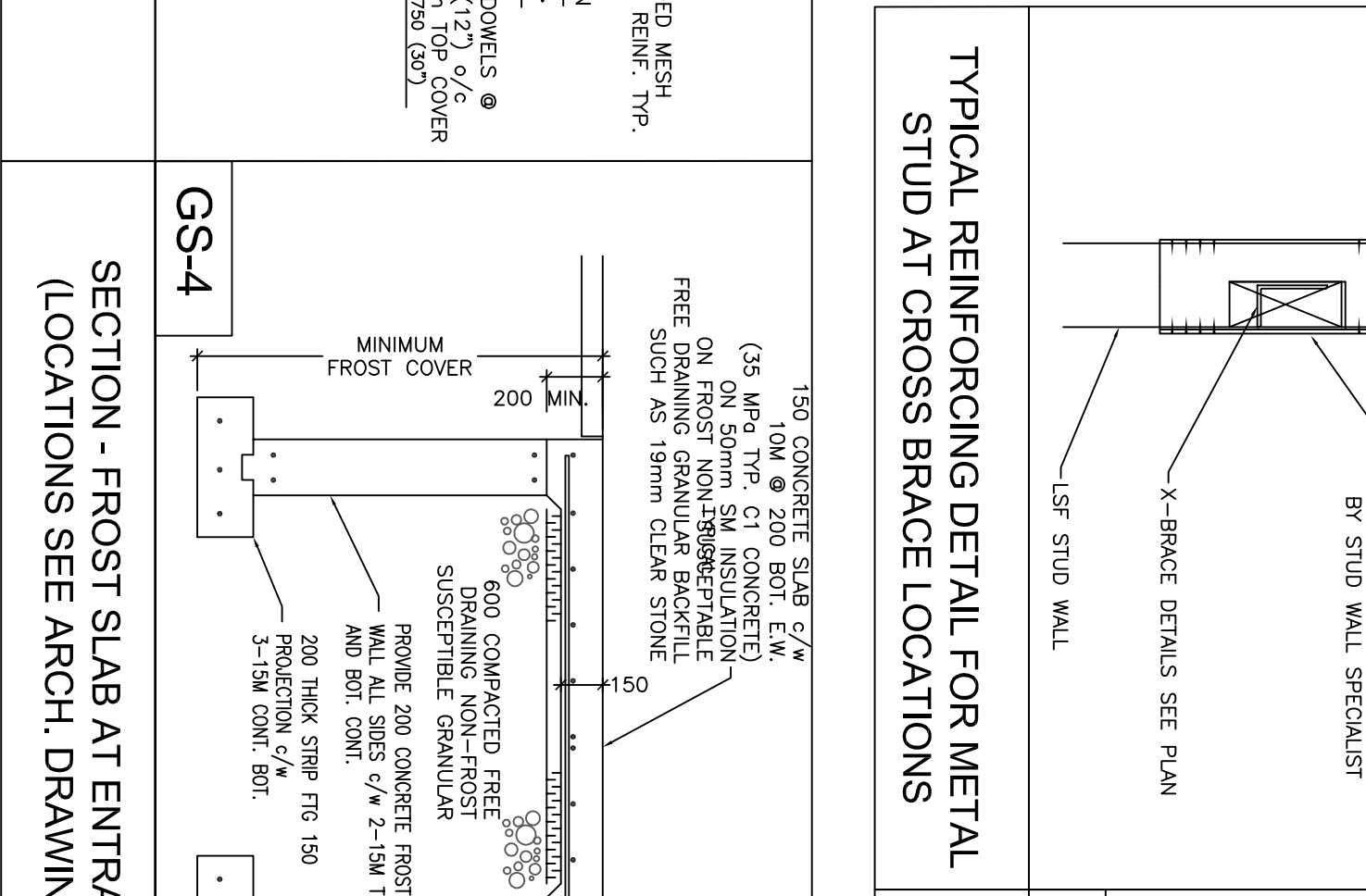
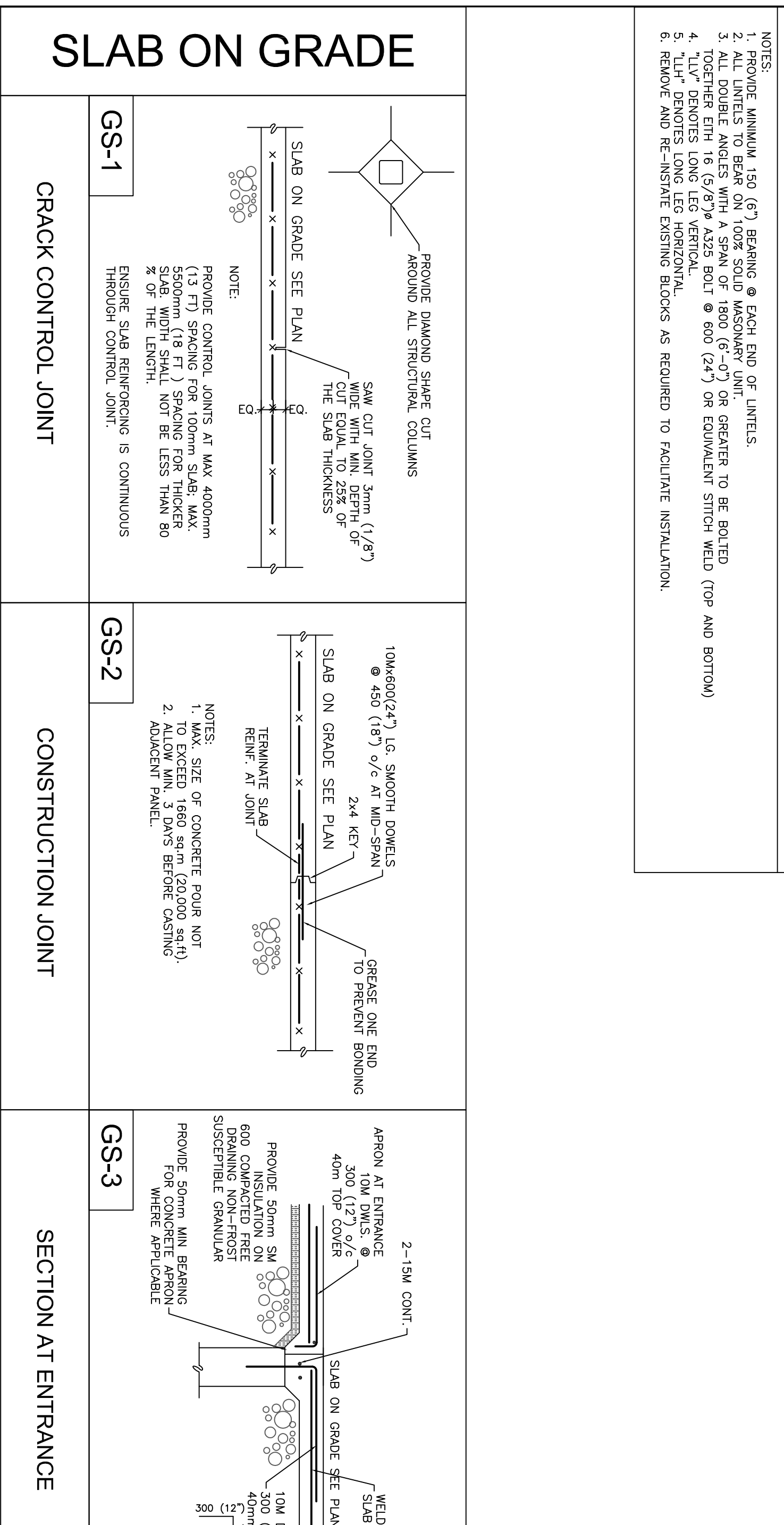
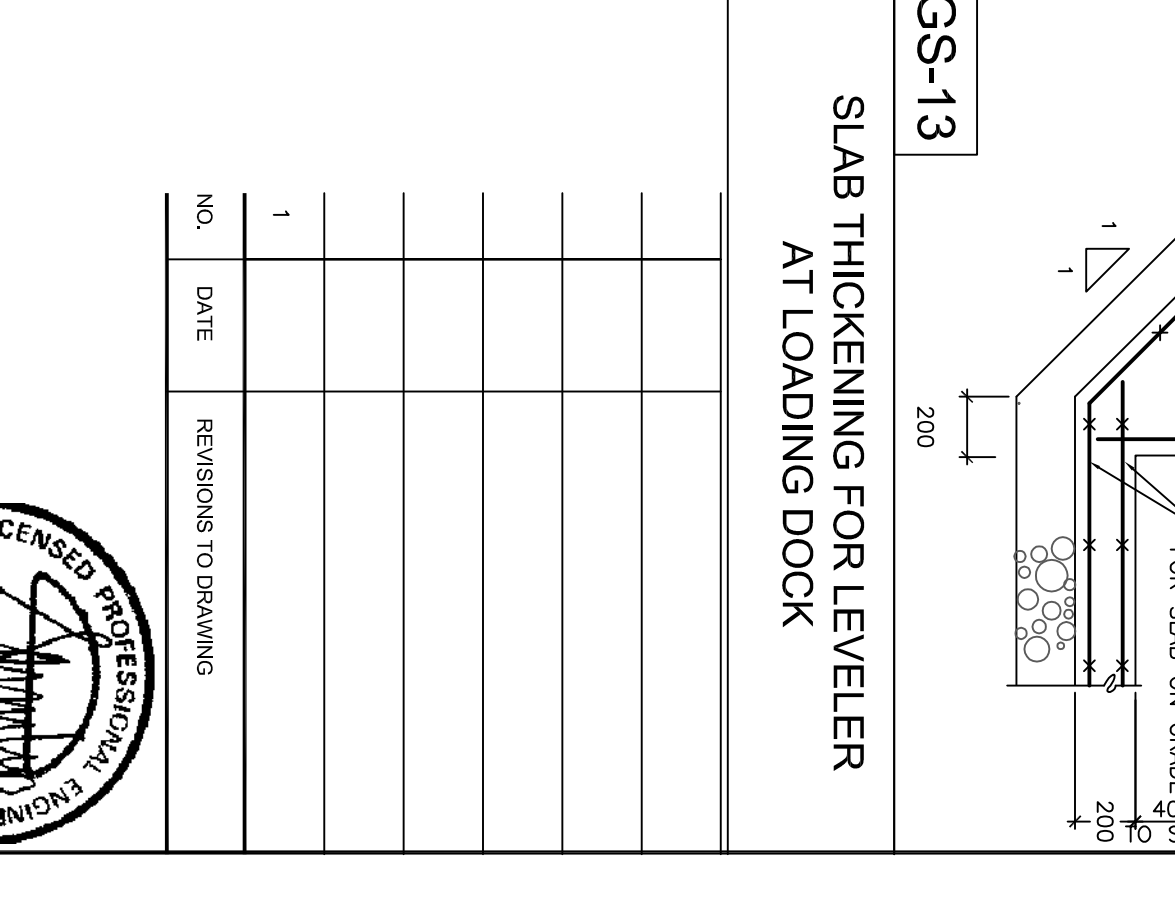
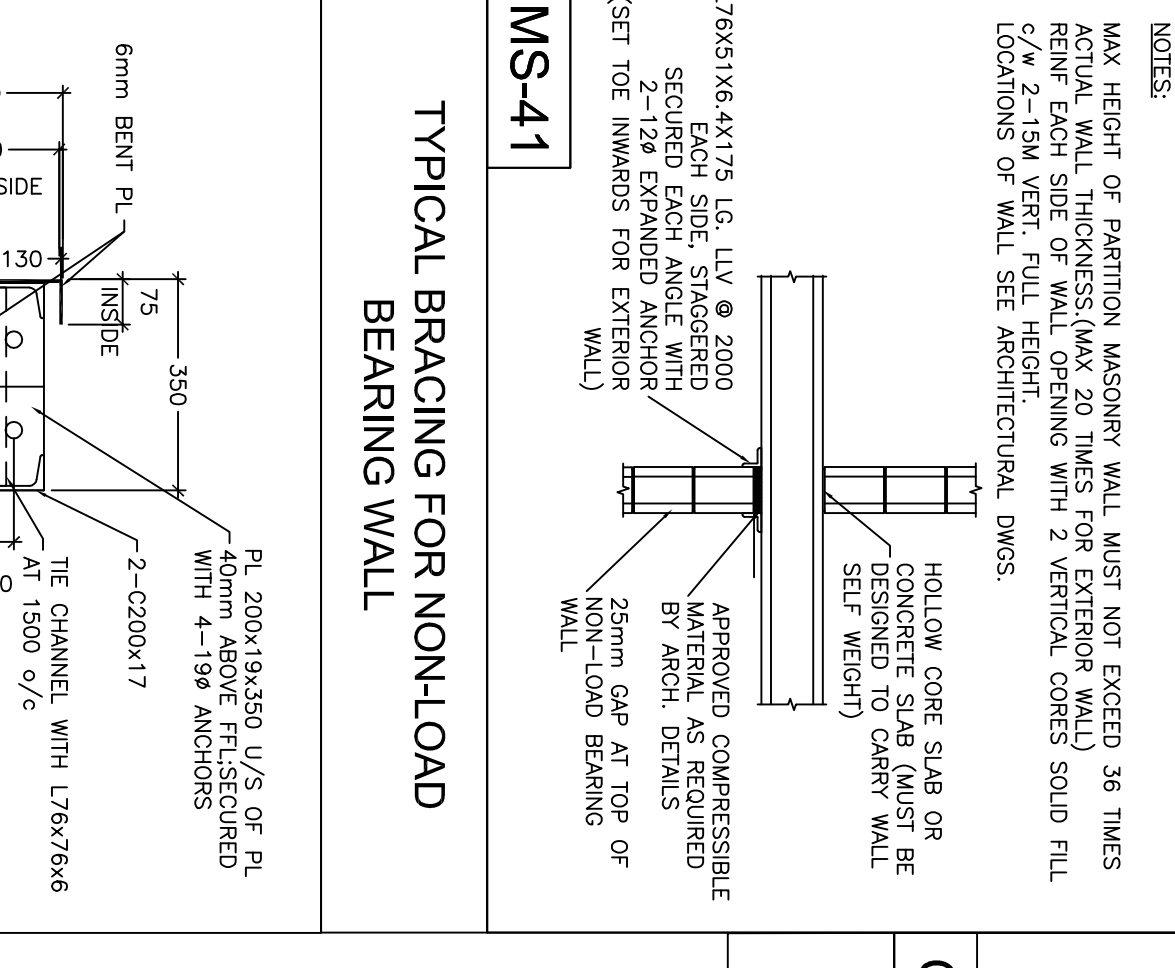
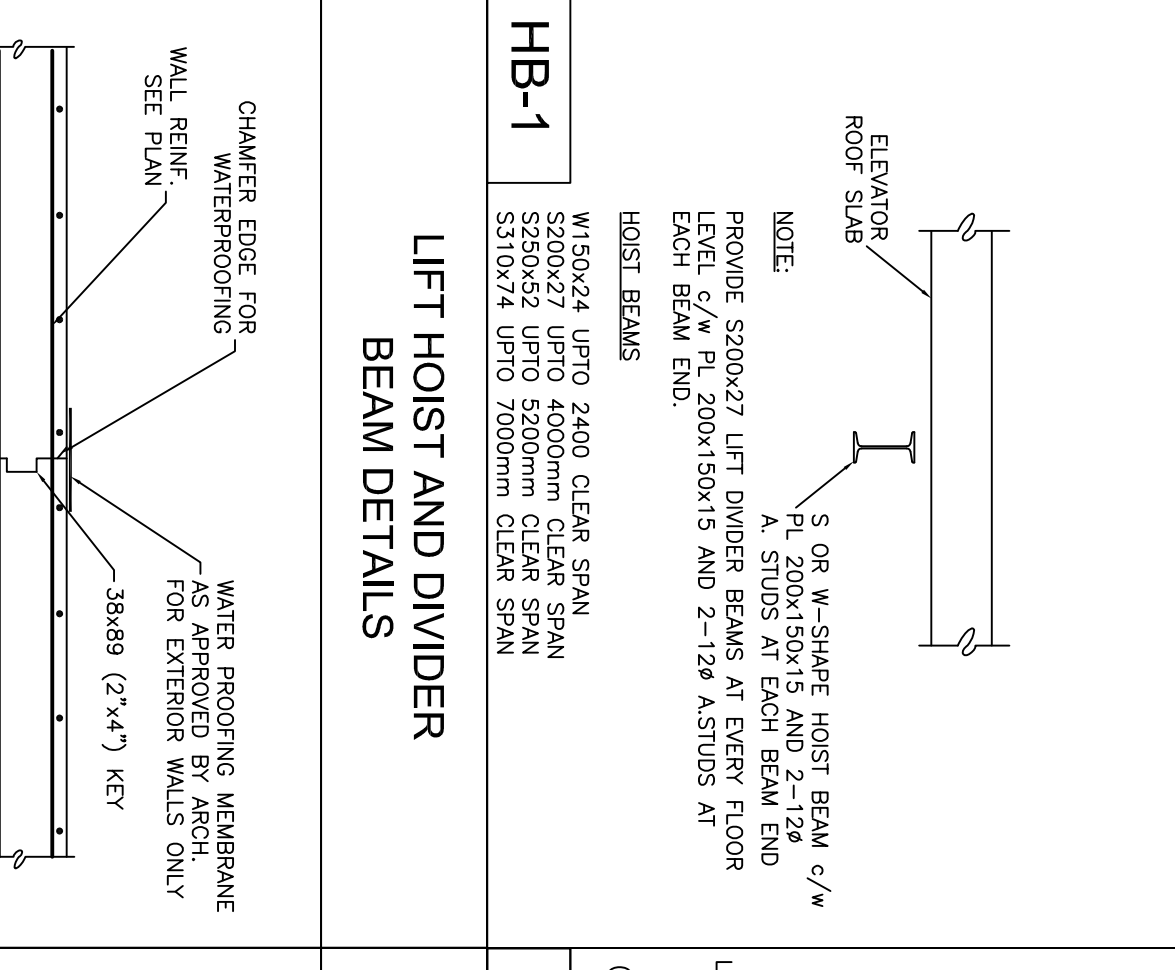
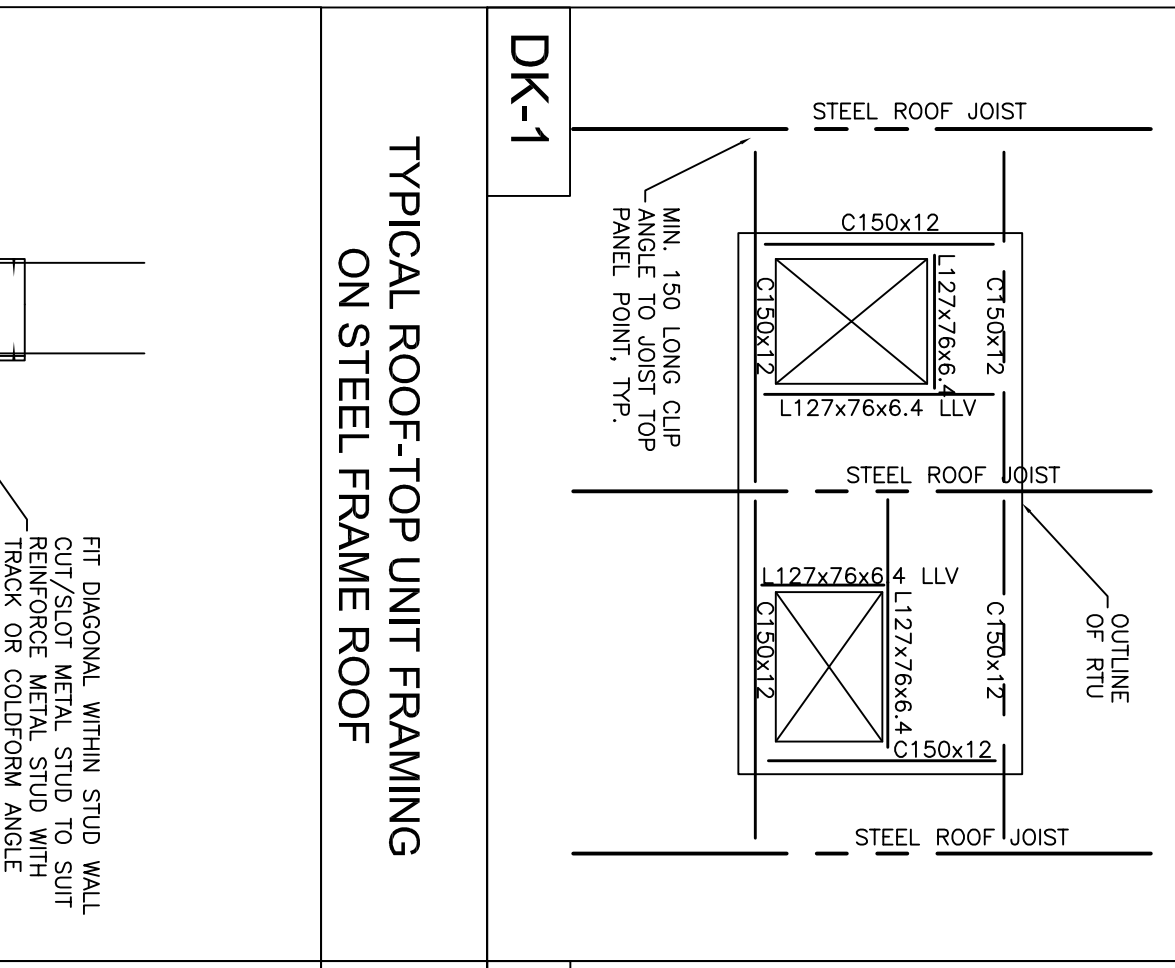


NO.	DATE	PRINTS ISSUED
1	6/1/2010	ISSUE FOR TENDER



CLEAR SPAN	NOMINAL WALL THICKNESS			FOOTINGS	FOUNDATION WALL	INTERIOR CONCRETE WORKS	SLAB ON GRADE	OTHERS	EXTERIOR CONCRETE WORKS	ALL EXTERIOR STRUCTURE EXPOSED TO DEICING SALT	SIDE WALK/ PAVEMENT	SLABS AND BEAMS	WALLS AND COLUMNS	NOTES:
	100 mm (4")	150 mm (6")	200 mm (8")											
1200 (4'-0") OR LESS	-	-	-	2'-2" S - 89x89x6.4	2'-2" S - 127x89x7.9	2'-2" S - 102x102x6.4	2'-2" S - 127x89x7.9	2'-2" S - 102x102x7.9	2'-2" S - 127x89x7.9	35 MPa C-1	5 - 8 #	0.40	320 kg/m <sup>3</sup>	1. THE ABOVE REPRESENT MINIMUM REQUIREMENTS, WHERE REQUIRED.
1500 (5'-0")	-	-	-	2'-2" S - 89x89x7.9	2'-2" S - 127x89x7.9	2'-2" S - 102x102x6.4	2'-2" S - 127x89x7.9	2'-2" S - 102x102x7.9	2'-2" S - 127x89x7.9	32 MPa C-2	5 - 8 #	0.45	N.A.	2. THE ABOVE REPRESENT MINIMUM REQUIREMENTS, WHERE REQUIRED.
1800 (6'-0")	-	-	-	2'-2" S - 102x89x7.8	2'-2" S - 127x89x7.8	2'-2" S - 102x102x7.8	2'-2" S - 127x89x7.8	2'-2" S - 102x102x7.8	2'-2" S - 127x89x7.8	30 MPa F-1	5 - 8 #	0.50	N.A.	3. ALL DOUBLE ANGLES WITH A SPAN OF 1800 (6'-0") OR GREATER TO BE BOLTED TOGETHER WITH 16 (5/8") A325 BOLT @ 600 (24") OR EQUIVALENT STITCH WELD (TOP AND BOTTOM).
2100 (7'-0")	-	-	-	2'-2" S - 102x89x7.8	2'-2" S - 127x89x7.8	2'-2" S - 102x102x7.8	2'-2" S - 127x89x7.8	2'-2" S - 102x102x7.8	2'-2" S - 127x89x7.8	25 MPa F-2	4 - 7 #	0.55	N.A.	4. "LV" DENOTES LONG LEG VERTICAL.
2400 (8'-0")	-	-	-	2'-2" S - 127x89x7.9	2'-2" S - 127x89x7.9	2'-2" S - 102x102x9.5	2'-2" S - 127x89x7.9	2'-2" S - 102x102x9.5	2'-2" S - 127x89x7.9	25 MPa F-2	4 - 7 #	0.55	N.A.	5. REMOVE AND RE-INSTATE EXISTING BLOCKS AS REQUIRED TO FACILITATE INSTALLATION.
2700 (9'-0")	-	-	-	2'-2" S - 127x89x9.5	2'-2" S - 127x89x9.5	2'-2" S - 102x102x9.5	2'-2" S - 127x89x9.5	2'-2" S - 102x102x9.5	2'-2" S - 127x89x9.5	25 MPa F-2	4 - 7 #	0.55	N.A.	6. REMOVE AND RE-INSTATE EXISTING BLOCKS AS REQUIRED TO FACILITATE INSTALLATION.
3000 (10'-0")	-	-	-	2'-2" S - 152x89x9.5	2'-2" S - 152x89x9.5	2'-2" S - 102x102x9.5	2'-2" S - 152x89x9.5	2'-2" S - 102x102x9.5	2'-2" S - 152x89x9.5	25 MPa F-2	4 - 7 #	0.55	N.A.	7. REMOVE AND RE-INSTATE EXISTING BLOCKS AS REQUIRED TO FACILITATE INSTALLATION.
3300 (11'-0")	-	-	-	2'-2" S - 152x89x9.5	2'-2" S - 152x89x9.5	2'-2" S - 102x102x9.5	2'-2" S - 152x89x9.5	2'-2" S - 102x102x9.5	2'-2" S - 152x89x9.5	25 MPa F-2	4 - 7 #	0.55	N.A.	8. REMOVE AND RE-INSTATE EXISTING BLOCKS AS REQUIRED TO FACILITATE INSTALLATION.
3500 (11'-6")	-	-	-	2'-2" S - 152x89x9.5	2'-2" S - 152x89x9.5	2'-2" S - 102x102x9.5	2'-2" S - 152x89x9.5	2'-2" S - 102x102x9.5	2'-2" S - 152x89x9.5	25 MPa F-2	4 - 7 #	0.55	N.A.	9. REMOVE AND RE-INSTATE EXISTING BLOCKS AS REQUIRED TO FACILITATE INSTALLATION.
4100 (13'-6")	-	-	-	2'-2" S - 178x102x9.5	2'-2" S - 178x102x9.5	2'-2" S - 102x102x9.5	2'-2" S - 178x102x9.5	2'-2" S - 102x102x9.5	2'-2" S - 178x102x9.5	25 MPa F-2	4 - 7 #	0.55	N.A.	10. REMOVE AND RE-INSTATE EXISTING BLOCKS AS REQUIRED TO FACILITATE INSTALLATION.



NO.	DATE	PRINTS ISSUED
1	6/1/2010	ISSUE FOR TENDER

Do not scale drawings. Check and verify all dimensions and report all errors and omissions to the architect before proceeding with the work.

A Detail No.  
B Sheet No. where detailed.

SWS ENGINEERING INC.  
1100 CENTRAL PARKWAY WEST, UNIT 15, 2ND FL.  
MISSISSAUGA, ON L5C 4E5  
TEL: (905) 272-1898 FAX: (905) 272-8254

PROJECT  
ATTRIDGE TRANSPORT OFFICE  
4-4100 HARVESTER ROAD  
BURLINGTON, ONTARIO

CLIENT

SCALE  
N/S  
DRAWN BY  
CHECKED BY  
SW  
PROJECT NO.  
10072

DATE  
APRIL 19, 2010  
DRAWING NO.  
S1.2