

MOUNT AT BOTTOM OF STAIRS

MEZZANINE

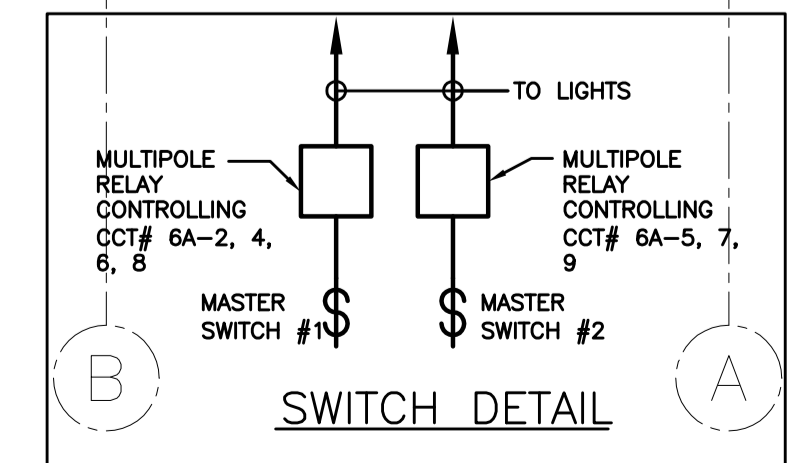
MEZZANINE - LIGHTING
SCALE: 1:100

GROUND FLOOR - LIGHTING
SCALE: 1:100

NOTE ALL HIGH BAY FIXTURES IN REPAIR FACILITY TO BE TYPE 'F1' UNLESS NOTED OTHERWISE. (TYPICAL)

NOTE ALL 2'x4' FIXTURES TO BE TYPE 'F' UNLESS NOTED OTHERWISE.

MASTER SWITCH #1 #2 VERIFY EXACT LOCATION ON SITE WITH OWNER PRIOR TO INSTALLATION SEE DETAIL.

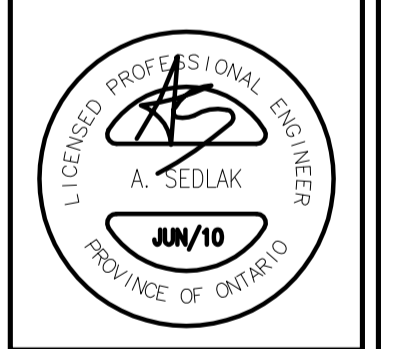


GENERAL NOTES:
1. IT IS THE CONTRACTOR'S RESPONSIBILITY TO VERIFY ALL DIMENSIONS IN PREFERENCE TO SCALING.
2. VERIFY AND CHECK ALL DIMENSIONS PRIOR TO AND DURING CONSTRUCTION.
3. DETERMINE LOCATIONS OF ALL EXISTING SERVICES.
4. PLANS ARE IN CONFORMANCE WITH THE ONTARIO BUILDING CODE.
ANY CHANGES, DISCREPANCIES, OR SUBSTITUTIONS SHALL BE REPORTED TO AND APPROVED BY THE ARCHITECT BEFORE PROCEEDING.

TRISTAR ENGINEERING
Division of 1041549 Ontario Limited
30 West Beaver Creek Road, Unit #118
Concord, Ontario
Canada, L4B-3K1
(905) 882-1332
Fax: (905) 882-0736

DATE	BY	DESCRIPTION
04 JUN 10	J.P.	ISSUED FOR PERMIT & TENDER
01 JUN 10	J.P.	ISSUED FOR PERMIT & TENDER
01 JUN 10	J.P.	ISSUED FOR PERMIT & TENDER

STATUS	DATE	BY
PROVISIONAL		
PERMIT		
CONSTRUCTION		
AS BUILT		
FINAL		



PROJECT OWNER:
GLENN ATTRIDGE

PROJECT NAME:
ATTRIDGE TRANSPORTATION 4159 (4130) HARVESTER RD./BURLINGTON

DRAWN BY: J.Y.
DATE: 23 MAR 2010
PROJECT NO.: 210-073

CHECKED BY: J.P.
SCALE: 1:100
SET NO.:

DRAWING NO.:
E2