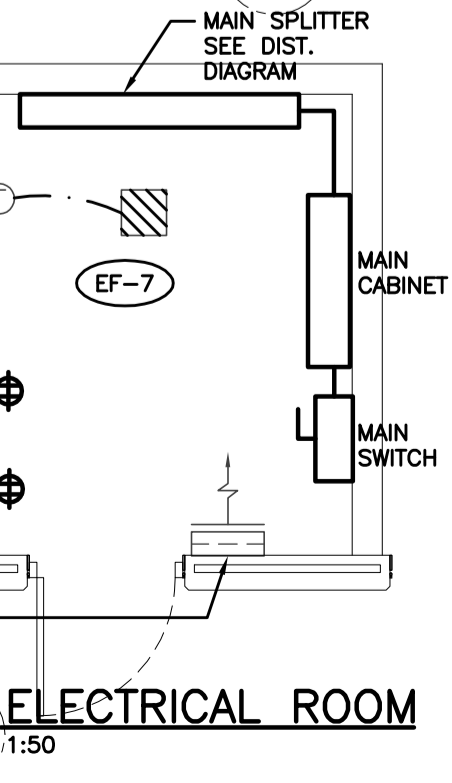


MEZZANINE - LIGHTING
SCALE: 1:100

GROUND FLOOR - LIGHTING
SCALE: 1:100



SEE DWG #E-1 FOR EXTERIOR RECEPTACLES

NOTE
CONTRACTOR TO PROVIDE FOR THE SUPPLY & INSTALLATION FOR THE CONNECTION OF TWO HOISTS 30A 2P 208V 1Ø EACH EXACT LOCATION TO BE VERIFIED ON SITE.

JUNCTION BOX FOR ALLOWANCE OF FUTURE PULL DOWN RETRACTABLE EQUIPMENT (TYPICAL)

STARTER FOR FAN EF-2.
TRANSF AT HIGH LEVEL FOR PANEL '2D'
347V 1Ø TWO 2 KW EL. F/F HEATERS C/W BUILT-IN STAT CCT# 6A-16

EMERGENCY BATTERY UNIT (200W CAPACITY) C/W 1-12W QUARTZ HEAD CCT #6A-1

347V 1Ø 4KW F/F HTR C/W BUILT-IN STAT CCT# 6A-18

EMERGENCY BATTERY UNIT (100W CAPACITY) C/W 1-12W QUARTZ HEAD CCT #6A-1

GENERAL NOTES:
IT IS THE CONTRACTOR'S RESPONSIBILITY TO:
1. USE ROUNDED DIMENSIONS IN PREFERENCE TO SCALING.
2. VERIFY AND CHECK ALL DIMENSIONS PRIOR TO AND DURING CONSTRUCTION.
3. DETERMINE LOCATIONS OF ALL EXISTING SERVICES.
4. PLANS ARE IN CONFORMANCE WITH THE ONTARIO BUILDING CODE.
ANY CHANGES, DISCREPANCIES, OR SUBSTITUTIONS SHALL BE REPORTED TO AND REVIEWED BY THE ARCHITECT BEFORE PROCEEDING.

TRISTAR ENGINEERING
Division of 1041546 Ontario Limited
30 West Beaver Creek Road, Unit #118
Cummer, Ontario, Canada L4B 3K1
(905) 882-1332
Fax: (905) 882-0736

NO.	DATE	DESCRIPTION
1	01 JUN 10	ISSUED FOR PERMIT & TENDER
2	01 JUN 10	ISSUED FOR PERMIT & TENDER
3	01 JUN 10	ISSUED FOR PERMIT & TENDER

PROFESSIONAL ENGINEER
A. SEDLAK
JUN/10
PROVINCE OF ONTARIO

PROJECT OWNER:
GLENN ATTRIDGE

PROJECT NAME:
ATTRIDGE TRANSPORTATION 4159 (4130) HARVESTER RD./BURLINGTON

DRAWN BY: J.Y.
DATE: 23 MAR 2010
PROJECT NO.: **210-073**
DRAWING NO.: **E3**

POWER LAYOUT