

PANEL SCHEDULE '2A'

VOLTS: 120/208V 3ø 4W
MAIN: 400 AMPS

FEED: _____
MOUNTING: SURFACE

DESCRIPTION	WATTAGE			Ckt. No.	BREAKER	BREAKER	Ckt. No.	WATTAGE			DESCRIPTION
	ΔA	ΔB	ΔC					ΔA	ΔB	ΔC	
BLOCK HEATER RECEPT	1500			1	20A 1P	20A 1P	2	1500			BLOCK HEATER RECEPT
BLOCK HEATER RECEPT		1500		3	20A 1P	20A 1P	4		1500		BLOCK HEATER RECEPT
BLOCK HEATER RECEPT			1500	5	20A 1P	20A 1P	6			1500	BLOCK HEATER RECEPT
BLOCK HEATER RECEPT	1500			7	20A 1P	20A 1P	8	1500			BLOCK HEATER RECEPT
BLOCK HEATER RECEPT		1500		9	20A 1P	20A 1P	10		1500		BLOCK HEATER RECEPT
BLOCK HEATER RECEPT			1500	11	20A 1P	20A 1P	12			1500	BLOCK HEATER RECEPT
BLOCK HEATER RECEPT	1500			13	20A 1P	20A 1P	14	1500			BLOCK HEATER RECEPT
BLOCK HEATER RECEPT		1500		15	20A 1P	20A 1P	16		1500		BLOCK HEATER RECEPT
BLOCK HEATER RECEPT			1500	17	20A 1P	20A 1P	18			1500	BLOCK HEATER RECEPT
BLOCK HEATER RECEPT	1500			19	20A 1P	20A 1P	20	1500			BLOCK HEATER RECEPT
BLOCK HEATER RECEPT		1500		21	20A 1P	20A 1P	22		1500		BLOCK HEATER RECEPT
BLOCK HEATER RECEPT			1500	23	20A 1P	20A 1P	24			1500	BLOCK HEATER RECEPT
BLOCK HEATER RECEPT	1500			25	20A 1P	20A 1P	26	1500			BLOCK HEATER RECEPT
BLOCK HEATER RECEPT		1500		27	20A 1P	20A 1P	28		1500		BLOCK HEATER RECEPT
BLOCK HEATER RECEPT			1500	29	20A 1P	20A 1P	30			1500	BLOCK HEATER RECEPT
BLOCK HEATER RECEPT	1500			31	20A 1P	20A 1P	32	1500			BLOCK HEATER RECEPT
BLOCK HEATER RECEPT		1500		33	20A 1P	20A 1P	34		1500		BLOCK HEATER RECEPT
BLOCK HEATER RECEPT			1500	35	20A 1P	20A 1P	36			1500	BLOCK HEATER RECEPT
BLOCK HEATER RECEPT	1500			37	20A 1P	20A 1P	38	1500			BLOCK HEATER RECEPT
BLOCK HEATER RECEPT		1500		39	20A 1P	20A 1P	40		1500		BLOCK HEATER RECEPT
BLOCK HEATER RECEPT			1500	41	20A 1P	20A 1P	42			1500	BLOCK HEATER RECEPT
BLOCK HEATER RECEPT	1500			43	20A 1P	20A 1P	44	1500			BLOCK HEATER RECEPT
BLOCK HEATER RECEPT		1500		45	20A 1P	20A 1P	46		1500		BLOCK HEATER RECEPT
BLOCK HEATER RECEPT			1500	47	20A 1P	20A 1P	48			1500	BLOCK HEATER RECEPT
BLOCK HEATER RECEPT	1500			49	20A 1P	20A 1P	50	1500			BLOCK HEATER RECEPT
BLOCK HEATER RECEPT		1500		51	20A 1P	20A 1P	52		1500		BLOCK HEATER RECEPT
BLOCK HEATER RECEPT			1500	53	20A 1P	20A 1P	54			1500	BLOCK HEATER RECEPT
SPARE				55	20A 1P	20A 1P	56	1500			BLOCK HEATER RECEPT
SPARE				57	20A 1P	20A 1P	58				SPARE
SPARE				59	20A 1P	20A 1P	60				SPARE
TOTALS	13500	13500	13500					15000	13500	13500	

ΔA = 28500
ΔB = 27000
ΔC = 27000

TOTAL POWER = 82.5 KW

NOTE: * TO BE CONTROLLED BY TIME CLOCK

PANEL SCHEDULE '2B'

VOLTS: 120/208V 3ø 4W
MAIN: 225 AMPS

FEED: _____
MOUNTING: SURFACE

DESCRIPTION	WATTAGE			Ckt. No.	BREAKER	BREAKER	Ckt. No.	WATTAGE			DESCRIPTION
	ΔA	ΔB	ΔC					ΔA	ΔB	ΔC	
DOCK RECEPTACLES	500			1	15A 1P	15A 1P	2	500			JUNCTION BOX
DOCK RECEPTACLES		500		3	15A 1P	15A 1P	4		500		JUNCTION BOX
DOCK RECEPTACLES			500	5	15A 1P	15A 1P	6			500	JUNCTION BOX
DOCK RECEPTACLES	500			7	15A 1P	15A 1P	8	500			JUNCTION BOX
RECEPTACLES		500		9	15A 1P	15A 1P	10		500		JUNCTION BOX
RECEPTACLES			500	11	15A 1P	15A 1P	12			500	JUNCTION BOX
RECEPTACLES	500			13	15A 1P	15A 1P	14	500			JUNCTION BOX
RECEPTACLES		500		15	15A 1P	15A 1P	16		500		JUNCTION BOX
RECEPTACLES			500	17	15A 1P	15A 1P	18			500	JUNCTION BOX
FRIDGE RECEPTACLES	500			19	15A 1P	15A 1P	20	500			JUNCTION BOX
FRIDGE		500		21	15A 1P	15A 1P	22		500		JUNCTION BOX
COUNTER RECEPTACLE			500	23	15A 1P	15A 1P	24			500	JUNCTION BOX
COUNTER RECEPTACLE	500			25	15A 1P	15A 1P	26	500			JUNCTION BOX
RECEPTACLES		500		27	15A 1P	15A 1P	28		500		JUNCTION BOX
DRINKING FOUNTAIN			500	29	15A 1P	15A 1P	30			500	JUNCTION BOX
RECEPTACLE	500			31	15A 1P	15A 1P	32	500			JUNCTION BOX
TELEPHONE RECEPTACLE		500		33	15A 1P	20A 1P	34		1500		BLOCK HEATER RECEPT
TELEPHONE RECEPTACLE			500	35	15A 1P	20A 1P	36			1500	BLOCK HEATER RECEPT
BLOCK HEATER RECEPT	1500			37	20A 1P	20A 1P	38	1500			BLOCK HEATER RECEPT
BLOCK HEATER RECEPT		1500		39	20A 1P	20A 1P	40		1500		BLOCK HEATER RECEPT
BLOCK HEATER RECEPT			1500	41	20A 1P	20A 1P	42			1500	BLOCK HEATER RECEPT
BLOCK HEATER RECEPT	1500			43	20A 1P	20A 1P	44	1500			BLOCK HEATER RECEPT
BLOCK HEATER RECEPT		1500		45	20A 1P	15A 1P	46		500		HWT
BLOCK HEATER RECEPT			1500	47	20A 1P	15A 1P	48			500	RECEPTACLES
MEZZANINE RECEPTACLES	500			49	15A 1P		50				SPACE ONLY
SERVICE RECEPTACLES		500		51	15A 1P		52				SPACE ONLY
SPARE				53	15A 1P		54				SPACE ONLY
SPARE				55	15A 1P		56				SPACE ONLY
SPARE				57	15A 1P		58				SPACE ONLY
SPARE				59	15A 1P		60				SPACE ONLY
TOTALS	6500	6500	6000					6000	6000	6000	

ΔA = 12500
ΔB = 12500
ΔC = 12000

TOTAL POWER = 36.5 KW

NOTE: * TO BE CONTROLLED BY TIME CLOCK

PANEL SCHEDULE '2C'

VOLTS: 120/208V 3ø 4W
MAIN: 225 AMPS

FEED: _____
MOUNTING: RECESSED

DESCRIPTION	WATTAGE			Ckt. No.	BREAKER	BREAKER	Ckt. No.	WATTAGE			DESCRIPTION
	ΔA	ΔB	ΔC					ΔA	ΔB	ΔC	
RECEPTACLES	500			1	15A 1P	15A 1P	2	500			RECEPTACLES
RECEPTACLES		500		3	15A 1P	15A 1P	4		500		RECEPTACLES
RECEPTACLES			500	5	15A 1P	15A 1P	6			500	RECEPTACLES
RECEPTACLES	500			7	15A 1P	15A 1P	8	500			RECEPTACLES
RECEPTACLES		500		9	15A 1P	15A 1P	10		500		RECEPTACLES
RECEPTACLES			500	11	15A 1P	15A 1P	12			500	RECEPTACLES
RECEPTACLES	500			13	15A 1P	15A 1P	14	500			RECEPTACLES
RECEPTACLES		500		15	15A 1P	15A 1P	16		500		RECEPTACLES
RECEPTACLES			500	17	15A 1P	15A 1P	18			500	RECEPTACLES
RECEPTACLES	500			19	15A 1P	15A 1P	20	500			SPARE
RECEPTACLES		500		21	15A 1P	15A 1P	22		500		SPARE
RECEPTACLES			500	23	15A 1P	15A 1P	24			500	COUNTER RECEPTACLE
RECEPTACLES	500			25	15A 1P	15A 1P	26	500			COUNTER RECEPTACLE
GF RECEPTACLES		500		27	15A 1P	15A 1P	28		500		RECEPTACLE
FRIDGE			500	29	15A 1P	15A 1P	30			500	PHOTO COPY
COUNTER RECEPTACLE	500			31	15A 1P	15A 1P	32	500			PHOTO COPY
RECEPTACLES		500		33	15A 1P	15A 1P	34		500		DRINKING FOUNTAIN
SHOWER LTG			200	35	15A 1P	15A 1P	36			500	DRINKING FOUNTAIN
BOARD RM LTG	1000			37	15A 1P	15A 1P	38	500			EXHAUST FANS
SPACE ONLY				39			40				SPARE
SPACE ONLY				41			42				SPARE
TOTALS	4000	3000	2700					3000	2500	3000	

ΔA = 7000
ΔB = 5500
ΔC = 5700

TOTAL POWER = -18.2 KW

NOTE: * TO BE CONTROLLED BY TIME CLOCK

PANEL SCHEDULE '6A'

VOLTS: 347/600V 3ø 4W
MAIN: 225 AMPS

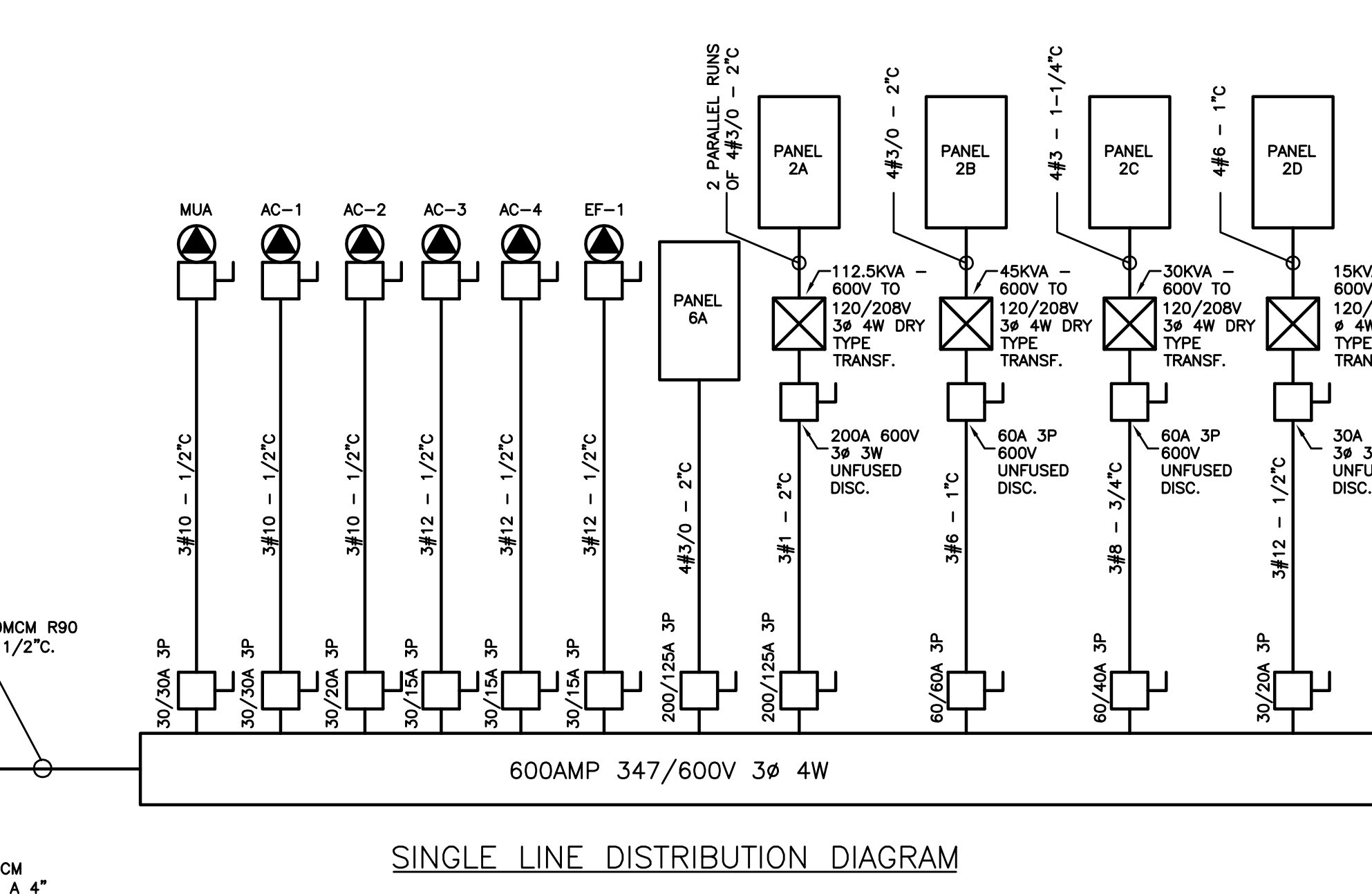
FEED: _____
MOUNTING: SURFACE

DESCRIPTION	WATTAGE			Ckt. No.	BREAKER	BREAKER	Ckt. No.	WATTAGE			DESCRIPTION
	ΔA	ΔB	ΔC					ΔA	ΔB	ΔC	
EXIT & EMERGENCY LIGHTS	500			1	15A 1P	15A 1P	2	4000			REPAID FACILITY LTG
NIGHT LIGHTS		750		3	15A 1P	15A 1P	4		4000		REPAID FACILITY LTG
REPAID FACILITY LTG			4000	5	15A 1P	15A 1P	6			4000	REPAID FACILITY LTG
REPAID FACILITY LTG	4000			7	15A 1P	15A 1P	8	1200			OFFICE LIGHTING
REPAID FACILITY LTG		4000		9	15A 1P	15A 1P	10		1600		OFFICE LIGHTING
OFFICE LIGHTING			2800	11	15A 1P	15A 1P	12			1800	OFFICE LIGHTING
OFFICE LIGHTING	3400			13	15A 1P	20A 1P	14	6000			F/F HEATER
OFFICE LIGHTING		2200		15	15A 1P	15A 1P	16		4000		F/F HEATER
OVERHEAD DOORS			1000	17		15A 1P	18			4000	F/F HEATER
OVERHEAD DOORS	1000			19	15A 3P	15A 1P	20				SPARE
OVERHEAD DOORS		1000		21			22				SPACE ONLY
OVERHEAD DOORS			1000	23			24				SPACE ONLY
OVERHEAD DOORS	1000			25	15A 3P		26				SPACE ONLY
OVERHEAD DOORS		1000		27			28				SPACE ONLY
OVERHEAD DOORS			1000	29			30				SPACE ONLY
OVERHEAD DOORS	1000			31	15A 3P	15A 1P	32	4000			EXTERIOR LTG
OVERHEAD DOORS		1000		33		15A 1P	34		4000		EXTERIOR LTG
OVERHEAD DOORS			1000	35		15A 1P	36			2000	EXTERIOR LTG
OVERHEAD DOORS	1000			37	15A 3P	15A 1P	38	4000			EXTERIOR LTG
OVERHEAD DOORS		1000		39		15A 1P	40		4000		EXTERIOR LTG
SPACE ONLY				41			42			4000	EXTERIOR LTG
TOTALS	11900	10950	10800					19200	17600	15800	

ΔA = 31100
ΔB = 28550
ΔC = 28600

TOTAL POWER = 86.3 KW

NOTE: * TO BE CONTROLLED BY TIME CLOCK & MULTI-POLE CONTACTOR



PANEL SCHEDULE '2D'

VOLTS: 120/208V 3ø 4W
MAIN: 225 AMPS

FEED: _____
MOUNTING: SURFACE

DESCRIPTION	WATTAGE			Ckt. No.	BREAKER	BREAKER	Ckt. No.	WATTAGE			DESCRIPTION
	ΔA	ΔB	ΔC					ΔA	ΔB	ΔC	
RECEPTACLES	500			1	15A 1P	15A 1P	2	500			RECEPTACLES
RECEPTACLES		500		3	15A 1P	15A 1P	4		500		RECEPTACLES
RECEPTACLES			500	5	15A 1P	15A 1P	6			500	RECEPTACLES
RECEPTACLES	500			7	15A 1P	15A 1P	8	500			RECEPTACLES
RECEPTACLES		500		9	15A 1P	15A 1P	10		500		RECEPTACLES
RECEPTACLES			500	11	15A 1P	15A 1P	12			500	RECEPTACLES
RECEPTACLES	500			13	15A 1P	15A 1P	14	500			RECEPTACLES
SPACE ONLY				15			16				SPACE ONLY
SPACE ONLY				17			18				SPACE ONLY
SPACE ONLY				19			20				SPACE ONLY
SPACE ONLY				21			22				SPACE ONLY
SPACE ONLY											