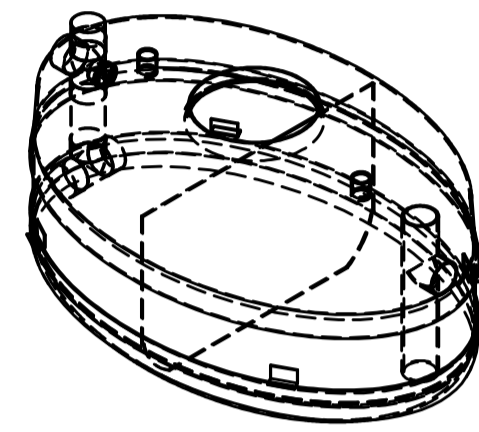
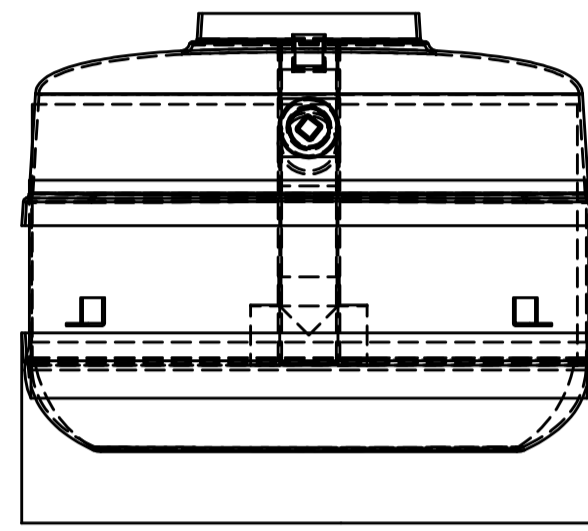


NOTES:

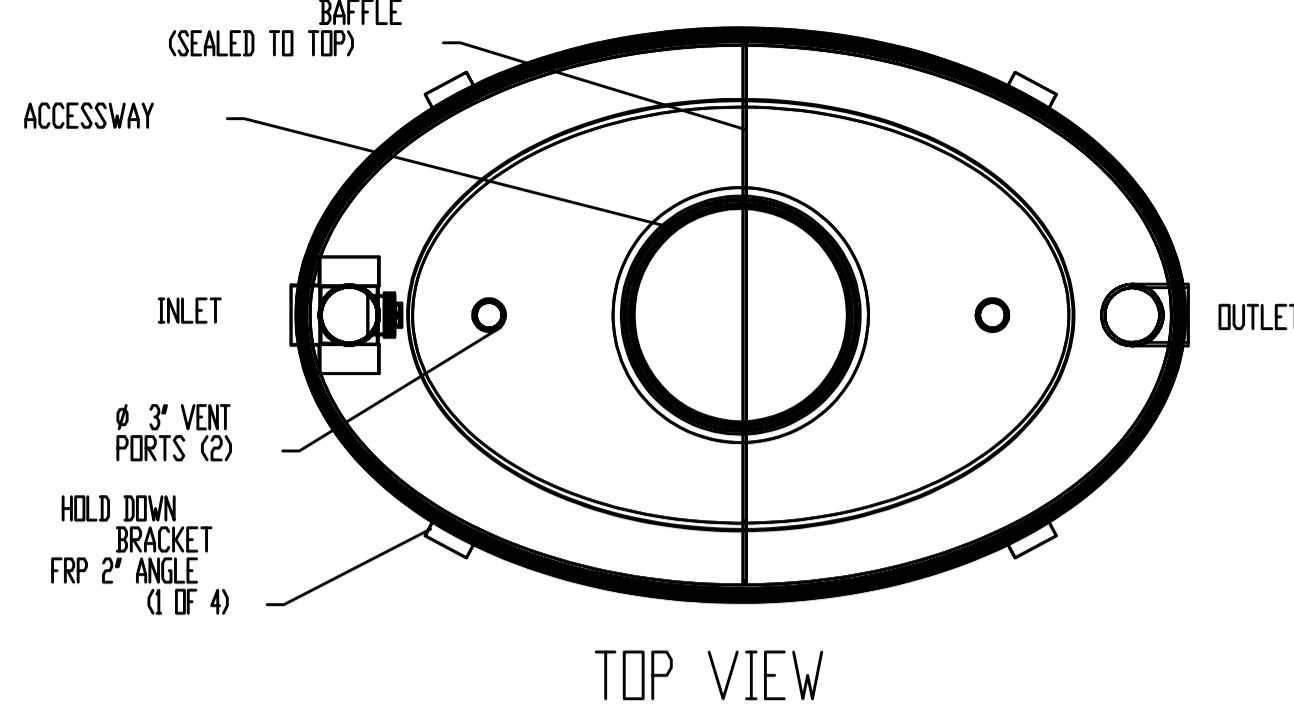
- FOR GRAVITY APPLICATIONS ONLY.
- ALL PROCEPTOR UNITS ARE MANUFACTURED WITH FIBREGLASS REINFORCED PLASTICS. PHYSICAL CHARACTERISTICS AND THICKNESS: POLYESTER RESIN AND E GLASS. MINIMUM THICKNESS 1/4" WALL AND 3/8" TOP AND BOTTOM ROWLS. MINIMUM BURIAL DEPTH = 24" FOR NEW TRAFFIC RATED AND MINIMUM BURIAL DEPTH = 36" FOR TRAFFIC RATED. MINIMUM BURIAL DEPTH = 7 FEET GRADE TO INVERT OF INLET. FOR REPER INSTALLATIONS CALL GREEN TURTLE FOR CUSTOM REINFORCEMENT.
- ALL PROCEPTOR UNITS ARE TO BE INSTALLED IN ACCORDANCE WITH THE MANUFACTURER'S INSTALLATION INSTRUCTION.
- STANDARD PIPE STUBS ARE SOCKET STR. 35 PVC SEWER MATERIAL. SCHEDULE 40 ADAPTORS ADDED FOR ALL PROJECTS IN USA.
- GMC/DMC 500 - 2000 UNITS COME STANDARD WITH 6" INLET AND 6" OUTLET. OTHER CUSTOM SIZES AVAILABLE AT EXTRA CHARGE.
- EXTENSION COLLAR TO BE ORDERED TO MEET FINISHED GRADE. CUT ON SITE FOR FINAL ADJUSTMENT AND CALKED WITH SIKAFLEX BY CONTRACTOR IF WATER TIGHT SEAL REQUIRED.
- COVERS AVAILABLE FOR HIGH TRAFFIC LOADING.
- PERISTREAM LOADING OF ABOVE GROUND INSTALLATION.
- UNLIMITED CAPACITY AVAILABLE. CONSULT GREEN TURTLE FOR OTHER SIZES.
- ALL PROCEPTOR UNITS ARE FACTORY TESTED.
- 30 YEAR WARRANTY AGAINST LEAKS AND STRUCTURAL FAILURE.
- U.S. PATENT #5,746,912; CAN PATENT #2,195,822.



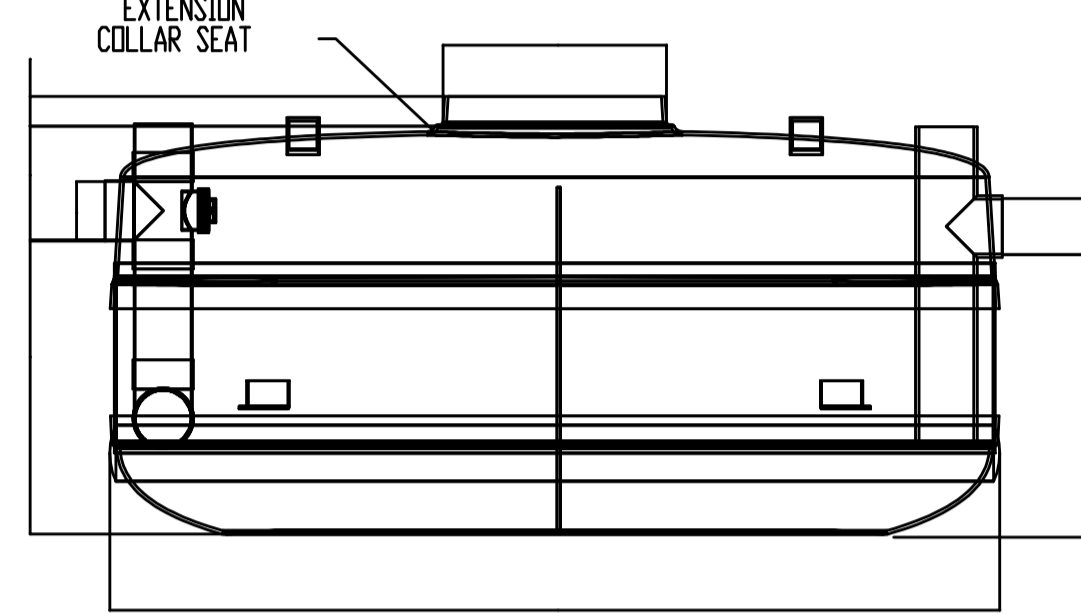
ISOMETRIC VIEW



SIDE VIEW



TOP VIEW



FRONT VIEW

TOTAL NET VOLUME:
MAX OIL CAPACITY:
MAX SOLIDS CAPACITY:

500 GAL
275 GAL
87 GAL

CONSULT LOCAL AUTHORITIES FOR
MINIMUM SIZE OF SEPARATORS

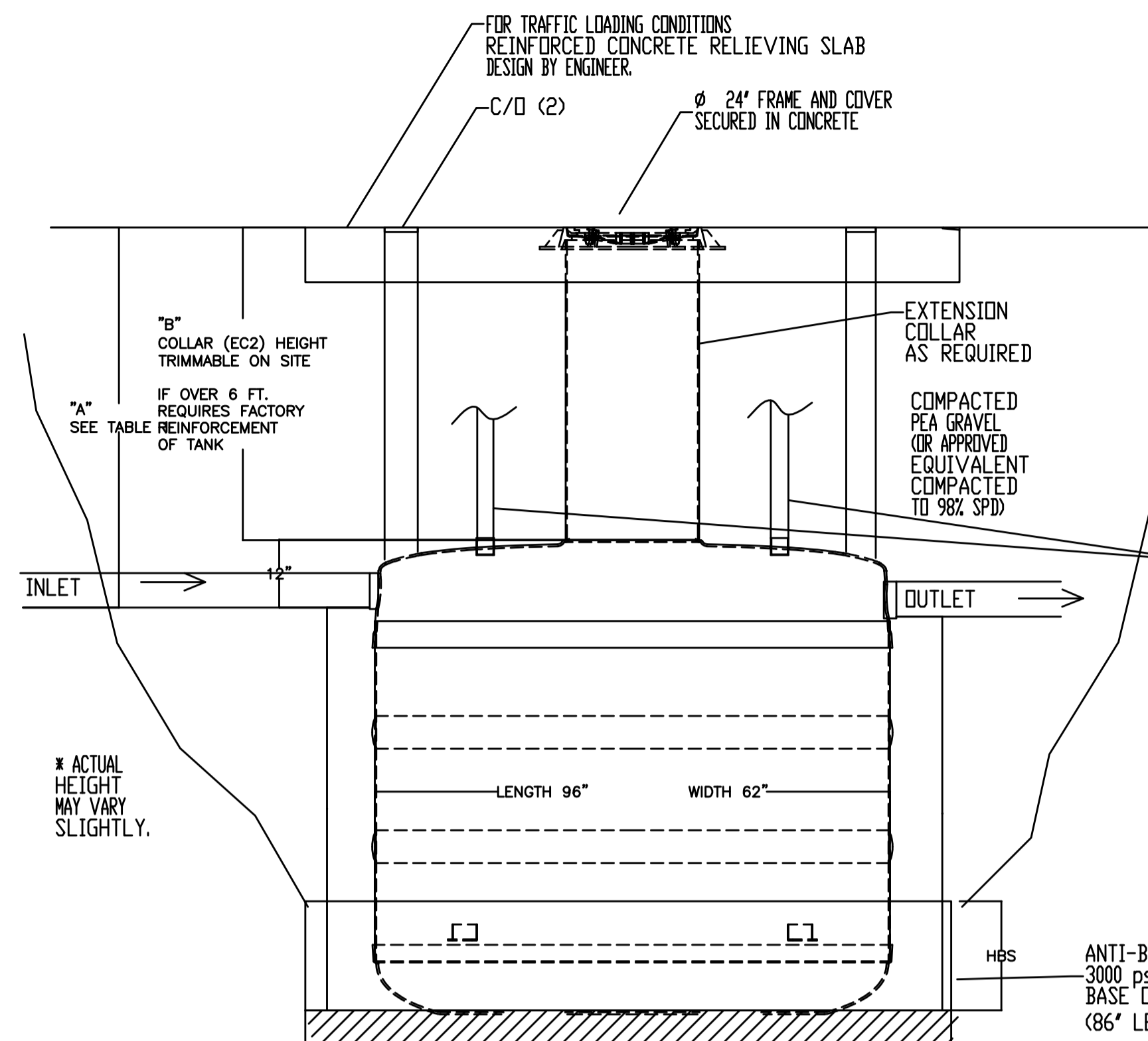
TITLE: PROCEPTOR OIL SEPARATOR	REV. DATE	DRAWN
DMC 500 GALLON INTERCEPTOR	1	
24" INLET & OUTLET	2	
ACCESSWAY	3	F. CHANDLER
ALL DIMENSIONS IN INCHES	4	JANUARY 4, 2007
PROJECT: W/D:	5	
OPTIONS:	6	
OIL SENSOR ALARM	7	
COALESCE FOR OIL REMOVAL	8	
OIL RESERVOIR FOR OIL STORAGE	9	
SUCTION PIPE FOR INDIOR INSTALLATION	10	
DOUBLE WALL CONSTRUCTION		
	DRAWN BY: F. CHANDLER	
	DRAWN DATE: 10/5/04	

Proceptor™
by greenturtle
US 877 428 8187 CAN 877 966 9444
www.greenturtletech.com

SIZE: DMC 500
REV. 4

SCALE: 1/8" = 1'-0" DO NOT SCALE DRAWING SHEET 1 OF 1

**GMC/DMC 500, 750, 1000, 1300, 1500(1)
INSTALLATION DRAWING**



NOTES:

- REFER TO INSTALLATION PROCEDURE AND INSTALLATION CHECKLIST.
- PROCEPTOR SEPARATORS MUST BE INSTALLED IN ACCORDANCE WITH ALL RELEVANT FEDERAL, PROVINCIAL/STATE AND LOCAL CODES INCLUDING LOCAL PLUMBING CODE.
- U.S. PATENT # 5,746,912; CAN PATENT # 2,195,822

TABLE 2

PROCEPTOR SEPARATOR MODEL	INLET INVERT TO TANK BOTTOM (H*)	HEIGHT OF BUOYANCY SLAB (HBS)	DRY WEIGHT OF TANK
GMC/DMC 500	32"	18"	500 lbs
GMC/DMC 750	45"	19"	575 lbs
GMC/DMC 1000	59"	26"	650 lbs
GMC/DMC 1300	74"	35"	745 lbs
GMC/DMC 1500(1)	85"	41"	805 lbs

BURIAL DEPTH	A	B
Max.	7 ft.	6 ft.
Min. with Traffic	36"	24"
Min. no Traffic	24"	** 12"

** MAY VARY DEPENDING ON VENT PIPING AND FLOOR SLAB

TITLE: PROCEPTOR OIL AND GREASE SEPARATOR	REV. DATE	DRAWN
INSTALLATION DRAWING FOR GMC/DMC MODELS 500-1500(1)	1	SEPTEMBER 10, 2007
ALL DIMENSIONS IN INCHES	2	L. SIMONS
PROJECT: W/D:	3	
	4	
	5	
	6	
	7	
	8	
	9	
	10	
	DRAWN BY: L. SIMONS	
	DRAWN DATE: FEBRUARY 16, 2007	

Proceptor™
by greenturtle
US 877 428 8187 CAN 877 966 9444
www.greenturtletech.com

SIZE: DMC 500
REV. 1

SCALE: 1/8" = 1'-0" DO NOT SCALE DRAWING SHEET 1 OF 1

TRINESTAR ENGINEERING
Division of 1041540 Ontario Limited
30 West Beaver Creek Road, Unit #118
Richmond Hill, Ontario
Canada, L4B-3K1
(905) 882-1332
Fax: (905) 882-0736

DATE:	DATE:	DATE:	DATE:	DATE:	DATE:
04 JAN 10	01 JAN 10	01 JAN 10	01 JAN 10	01 JAN 10	01 JAN 10
ISSUED FOR PERMIT	ISSUED FOR PERMIT	ISSUED FOR PERMIT	ISSUED FOR PERMIT	ISSUED FOR PERMIT	ISSUED FOR PERMIT
1	2	3	4	5	6
7	8	9	10	11	12

STATUS: PERSONAL USE ONLY. NOT FOR CONSTRUCTION. AS BUILT. OTHER.

W.L. LO
LICENSED PROFESSIONAL ENGINEER
JUN/10
PROVINCE OF ONTARIO

PROJECT OWNER:

PROJECT NAME: **ATTRIDGE TRANSPORTATION**
4130 HARVESTER ROAD

DRAWING NAME: **OIL INTERCEPTOR DETAILS**

DRAWN BY: W.L.
DATE: APRIL 2010

CHECKED BY: W.L.
SCALE: N.T.S.

PROJECT No.: **210-073**

DRAWING No.: **M6**